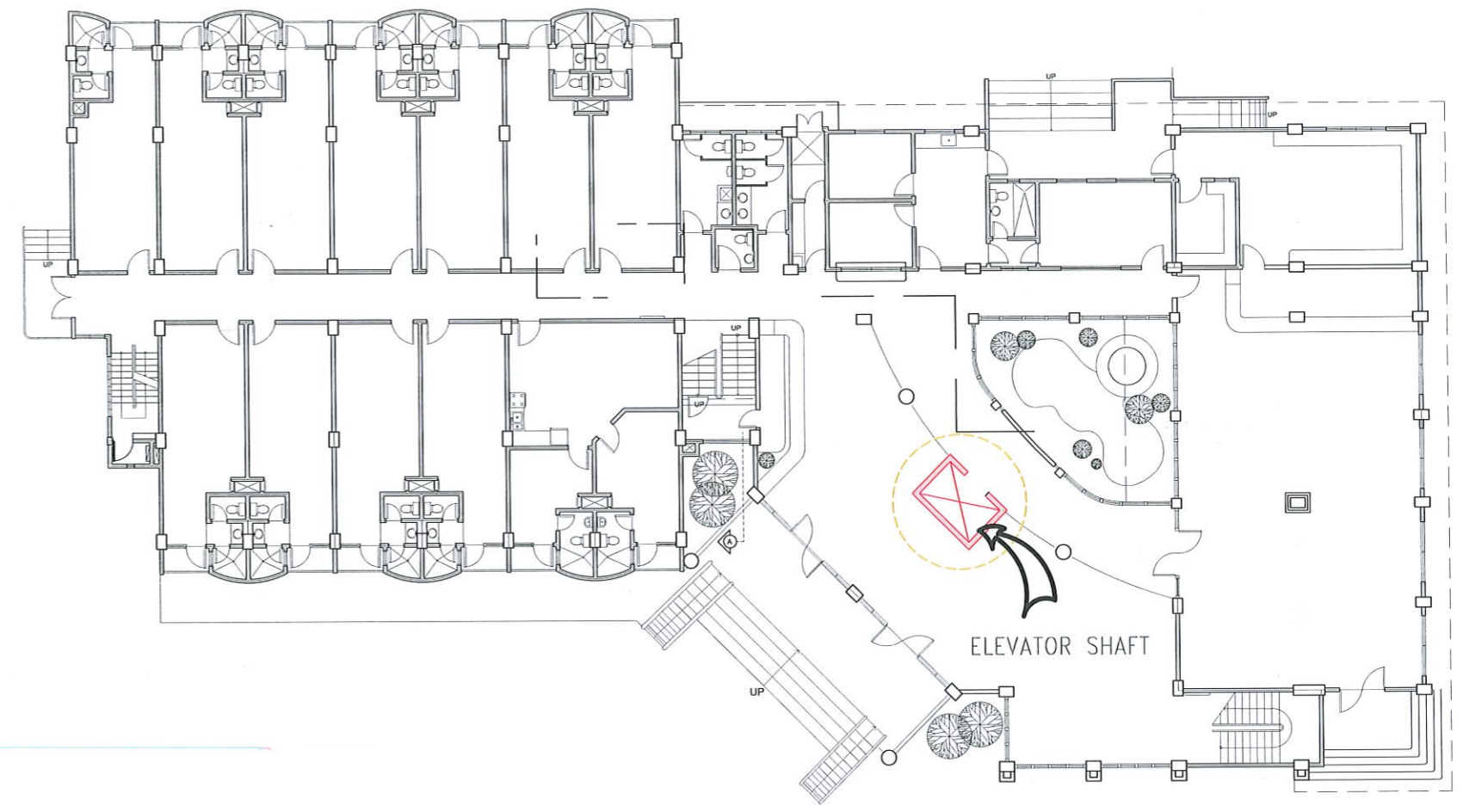




SITE

VICINITY MAP

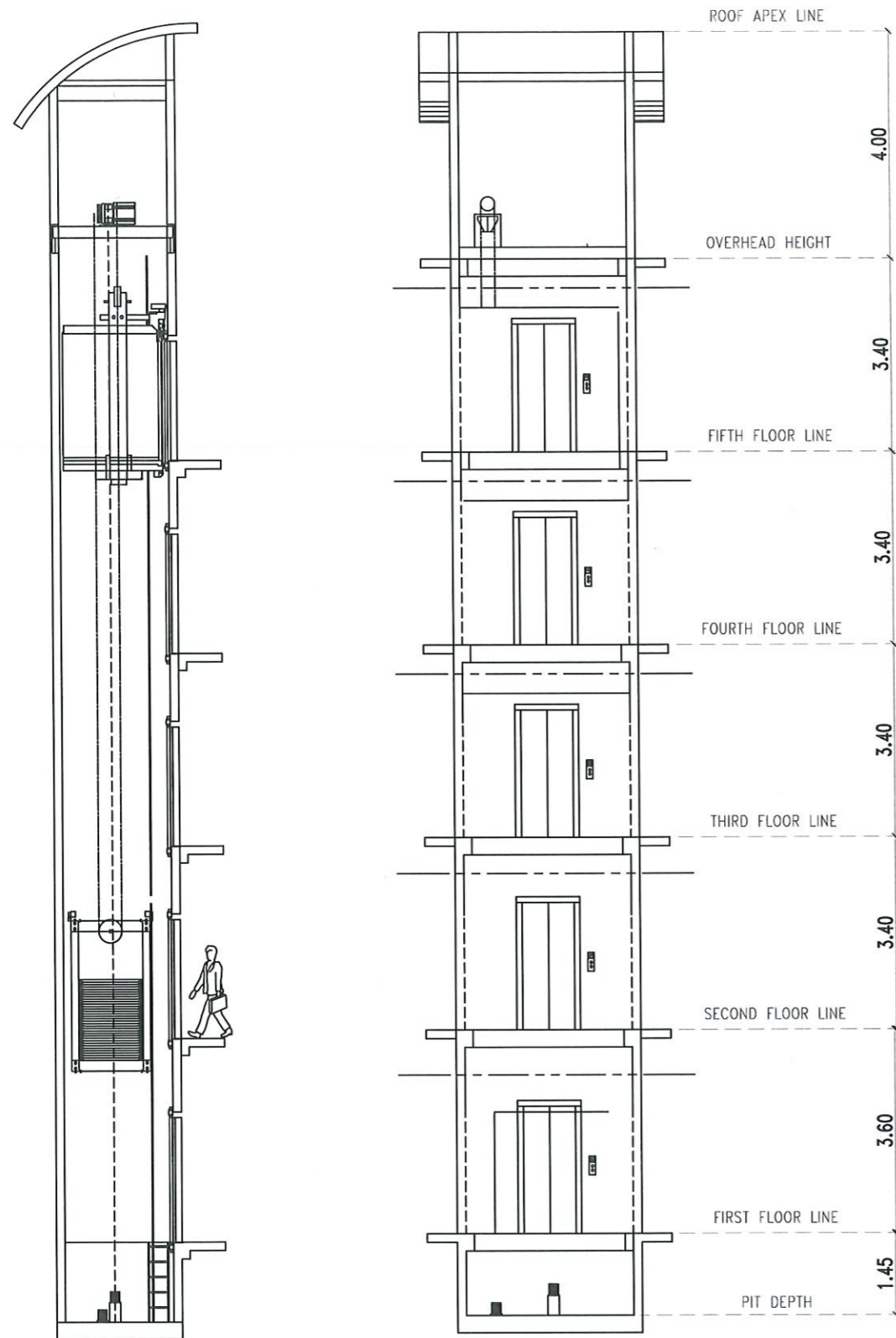


KEY PLAN



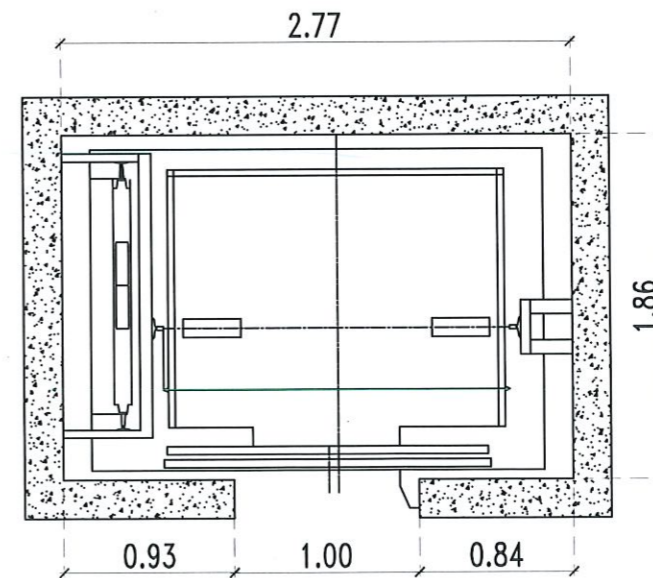
TARLAC STATE UNIVERSITY
 Facilities Development and Management Office
 Romulo Boulevard, Tarlac City, Philippines 2300

PROJECT TITLE: <i>AR</i> REPLACEMENT OF ELEVATOR SYSTEM AT TSU HOTEL	REQUESTING OFFICE: <i>John Myro B. Ganara</i> MR. VON REX M. REYES MANAGER, TSU HOTEL	PREPARED BY: <i>John Myro B. Ganara</i> ENGR. JOHN MYRO B. GANARA MECHANICAL, FDMO	CHECKED BY: <i>Ar Arlen M. Guieb</i> AR. ARLEN M. GUIEB PLANNING UNIT HEAD, FDMO	CERTIFIED BY: <i>Cherry L. Fabianes</i> AR. CHERRY L. FABIANES DIRECTOR, FDMO	RECOMMENDING APPROVAL: <i>Gracen N. Rosete</i> DR. GRACEN N. ROSETE VP FOR ADMINISTRATION AND FINANCE	APPROVED: <i>Arnold E. Velasco</i> DR. ARNOLD E. VELASCO PRESIDENT	SHEET CONTENTS: AS SHOWN DATE: SEPTEMBER 2022	SHEET NO.: M-01 PAGE NO.: 1/2
--	--	---	---	--	--	---	---	--



SHAFT ELEVATION
SCALE 1:110MTS

REQUIRED SPECIFICATION	
TYPE OF USE	PASSENGER ELEVATOR
RATED LOAD	1200 KG
RATED SPEED	60 m/min (1m/sec)
CONTROLLER	AC-VVVF
	SELECTIVE COLLECTIVE
CAR INSIDE DIMENSION	W = 1800 mm
	D = 1700 mm HC = 2300 mm
HOISTWAY	2770 mm (W) x 1860 mm (D)
DOOR OPENING	W = 900 mm x HH = 2100 mm
TRAVEL HEIGHT	13600 mm
OVERHEAD HEIGHT	4000mm
PIT DEPTH	1450 mm
DOOR OPEN TYPE	CENTER OPENING
NO. OF STOP	5 FLOORS / 5 STOPS / 5 DOORS
OPERATION	Push Button Control each floor
POWER SUPPLY	220VAC, 3 ϕ , 60Hz
LIGHTING SUPPLY	220VAC, 1 ϕ , 60Hz



HOISTWAY PLAN
SCALE 1:40MTS



TARLAC STATE UNIVERSITY
Facilities Development and Management Office
Romulo Boulevard, Tarlac City, Philippines 2300

PROJECT TITLE: *AR*
REPLACEMENT OF ELEVATOR SYSTEM
AT TSU HOTEL
PROJECT LOCATION:
TSU, LUCINDA EXTENSION CAMPUS

REQUESTING OFFICE:
AR
MR. VON REX M. REYES
MANAGER, TSU HOTEL

PREPARED BY:
John Myro B. Ganara
ENGR. JOHN MYRO B. GANARA
MECHANICAL, FDMO

CHECKED BY:
Ar. Arlen M. Guieb
AR. ARLEN M. GUIEB
PLANNING UNIT HEAD, FDMO

CERTIFIED BY:
Ar. Cherry L. Fabianes
AR. CHERRY L. FABIANES
DIRECTOR, FDMO

RECOMMENDING APPROVAL:
Dr. Grace N. Rosete
DR. GRACE N. ROSETE
VP FOR ADMINISTRATION AND FINANCE

APPROVED:
Dr. Arnold E. Velasco
DR. ARNOLD E. VELASCO
PRESIDENT

SHEET CONTENTS:
AS SHOWN
DATE: SEPTEMBER 2022

SHEET NO:
M-02
PAGE NO:
2/2